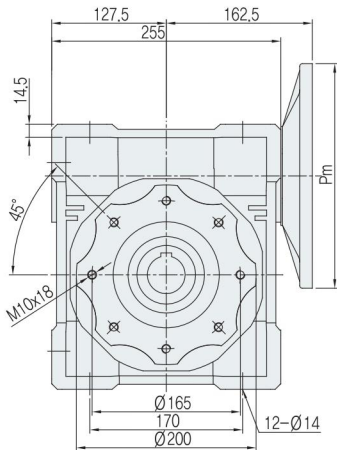




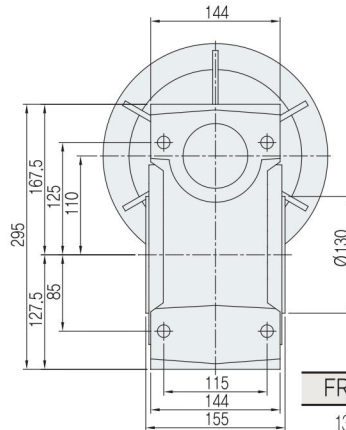
PC Series WORM REDUCER

110

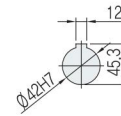
■ PCMRV TYPE DIMENSIONS



Input shaft hole



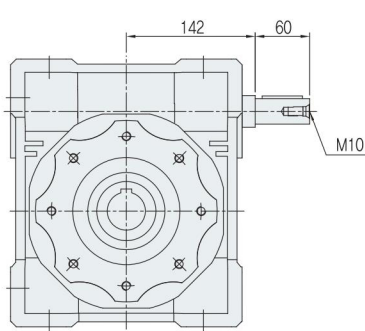
Output shaft hole



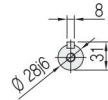
Weight : 35.0 kg

FRAME	Pm	Dm	bm	tm
132B5	300	Ø38	10	41.3
110/112B5	250	Ø28	8	31.3
90B5	200	Ø24	8	27.3
80B5	200	Ø19	6	21.8

■ PCRV TYPE DIMENSIONS

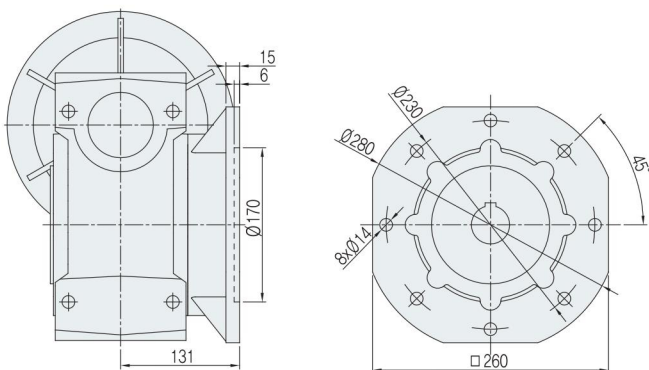


Input shaft



Weight : 35.0 kg

■ FA OUTPUT FLANGE DIMENSIONS



Weight : 6.0 kg

- ※ Output Flange는 Reducer와 조립되어 발송되지 않으며, 별도 주문품입니다.
Output flange is sent without assembling with reducer and is to be ordered separately.
- ※ 위 조립 치수는 조립 후 참조 치수입니다.
Above dimension for assembly is a reference post-assembly dimension.