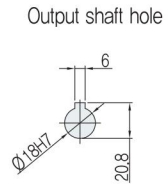
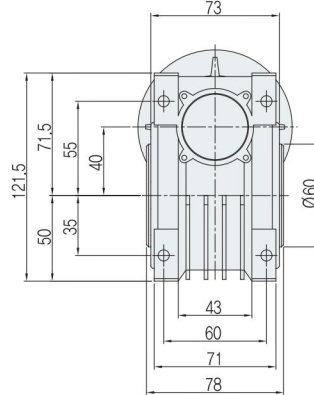
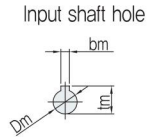
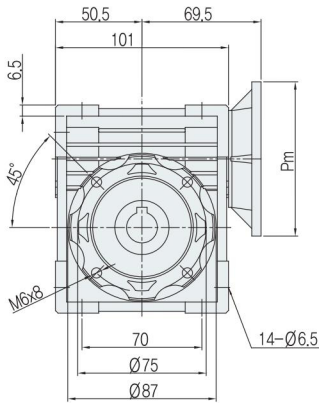




PC Series WORM REDUCER

040

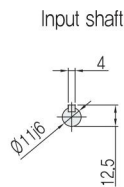
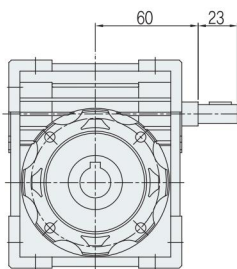
■ PCMRV TYPE DIMENSIONS



Weight : 2.3 kg

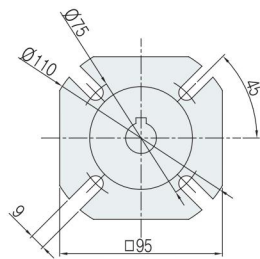
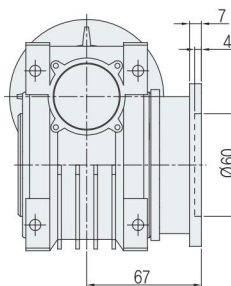
FRAME	Pm	Dm	bm	tm
71B5	160	Ø14	5	16.3
63B5	140	Ø11	4	12.8

■ PCRV TYPE DIMENSIONS



Weight : 2.3 kg

■ FA OUTPUT FLANGE DIMENSIONS



Weight : 0.25 kg

- ※ Output Flange는 Reducer와 조립되어 발송되지 않으며, 별도 주문품입니다.
Output flange is sent without assembling with reducer and is to be ordered separately.
- ※ 위 조립 치수는 조립 후 참조 치수입니다.
Above dimension for assembly is a reference post-assembly dimension.