

# AC Fan Motor | IS-27 TYPE



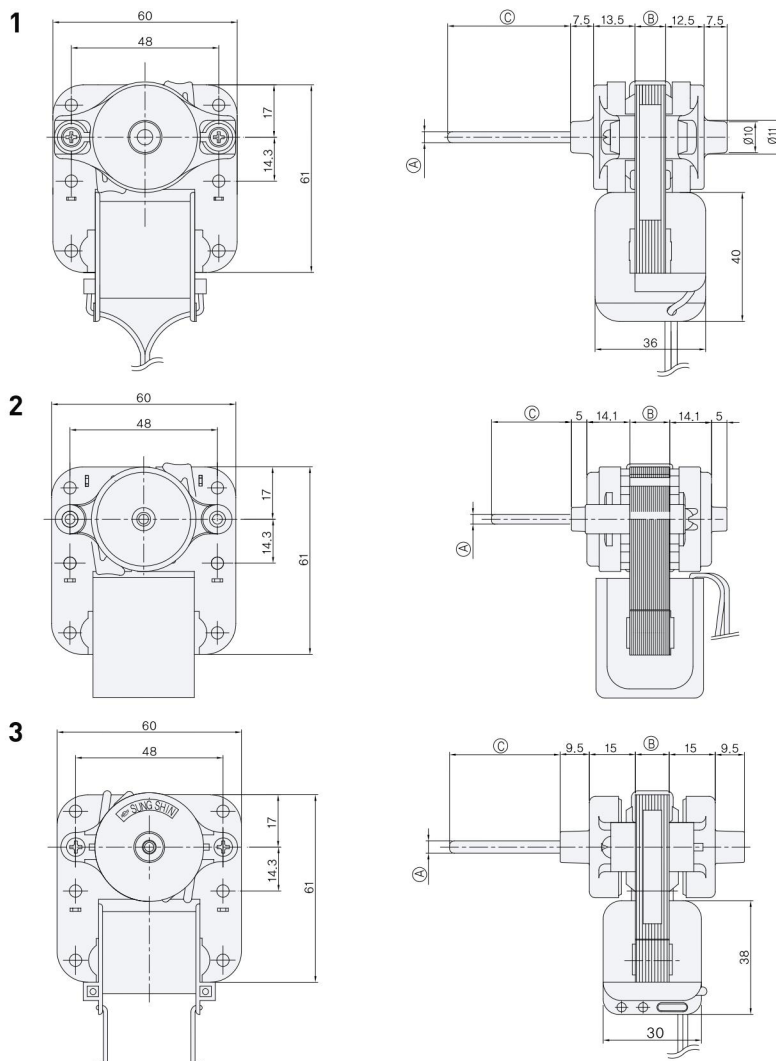
## 특징 FEATURES

- ◆ **Application** : Refrigerator(Eva, Comp), etc
- ◆ **Insulation Class** : A(105°C), E(120°C), B(130°C)
- ◆ **Output Rotation** : C.W or C.C.W
- ◆ **Bracket** : Metal, Plastic
- ◆ **Bobbin** : Tape, Molding, Plastic Cap
- ◆ **Power Connector** : Lead Wire, Terminals
- ◆ **특징(Features)** : 범용(General purpose), Low Noise, Fan Ass'y

## ● SPECIFICATION

TYPE	V	Hz	No Load Pin (W)	No Load RPM	DIMENSION			INS. CLASS
					A [φ]	B (mm)	C (mm)	
IS-27	100 ~ 240	50/60	3~7	2850/ 3500	Ø3.17 Ø4 Ø5 Ø6	8	AS REQUES THE BY BUYER	A,E,B
			4~13			10		
			6~15			13		
			10~20			15		
			15~25			20		
			17~30			25		
			35~65			40		

## ● DIMENSIONS



Unit : mm