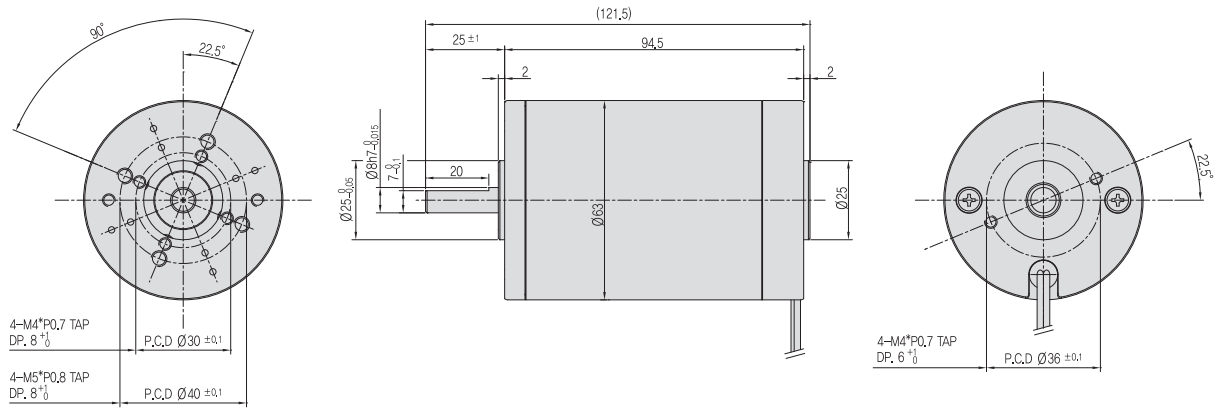


# XD & XA SERIES

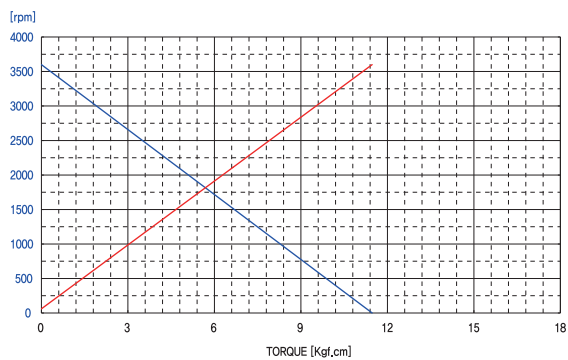
## XD6350 Series DC Motor Dimension



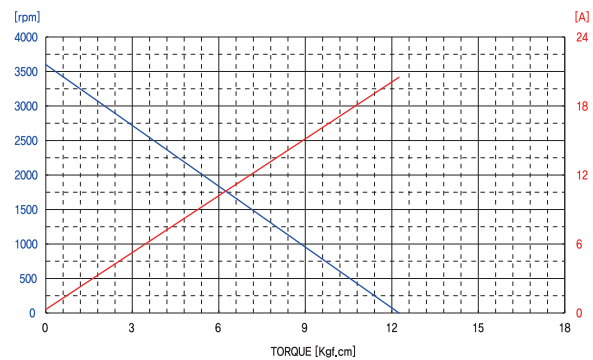
## XD6350 Series DC Motor Data Sheet

Data	units	XD6350 Series			
Rated voltage	[Vd.c]	12	24	40	60
No load speed	[r/min]	3600	3600	3800	3600
No load current	[A]	1.2	0.6	0.4	0.25
Rated torque	[kgf.cm]	1.41	1.52	1.41	1.50
	[Ncm]	13.9	14.9	13.8	14.7
Rated speed	[r/min]	3100	3200	3450	3250
Rated current	[A]	4.9	2.6	1.6	1.1
Rated Output power	[W]	45	50	50	50
Stall torque	[kgf.cm]	10.9	11.6	14.3	13.7
	[Ncm]	106.9	114.1	139.7	134.2
Stall current	[A]	39.6	22.5	17.5	10.8
Demagnetization current	[A]	50	24	16	9.5
Weight	[kg]	1.2	1.2	1.2	1.2

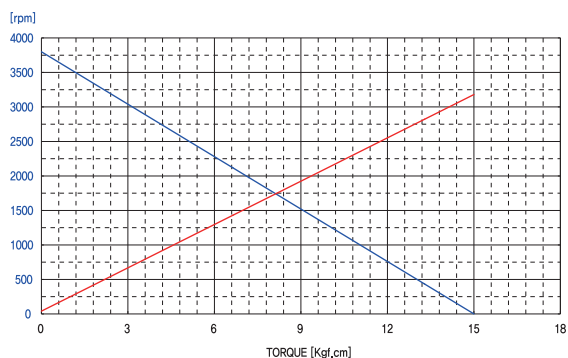
### XD6345-12 Characteristic diagram, 12Vd.c



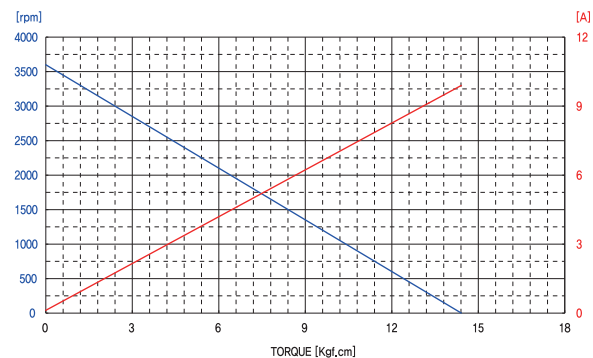
### XD6350-24 Characteristic diagram, 24Vd.c



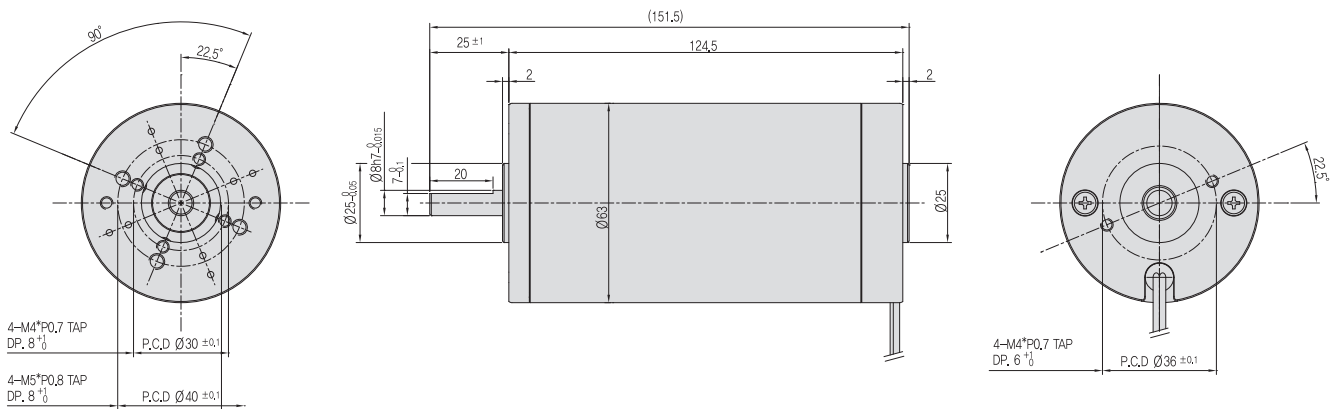
### XD6350-40 Characteristic diagram, 40Vd.c



### XD6350-60 Characteristic diagram, 60Vd.c



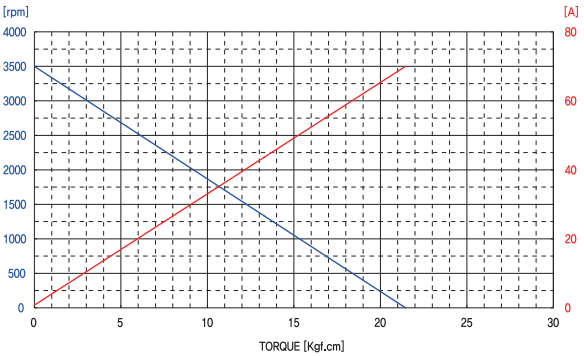
## ■ XD63100 Series DC Motor Dimension



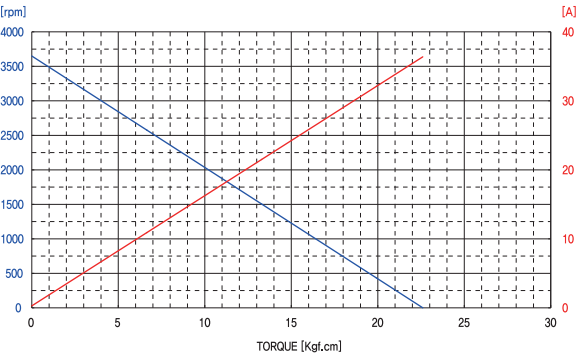
## ■ XD63100 Series DC Motor Data Sheet

Data	units	XD63100 Series			
		12	24	40	60
Rated voltage	[Vd.c]	12	24	40	60
No load speed	[r/min]	3500	3650	3600	3600
No load current	[A]	1.50	0.60	0.45	0.25
Rated torque	[kgf.cm]	2.32	3.00	3.09	3.04
	[Ncm]	22.7	29.4	30.3	29.8
Rated speed	[r/min]	3150	3250	3150	3200
Rated current	[A]	7.6	4.8	3.0	2.0
Rated Output power	[W]	75	100	100	100
Stall torque	[kgf.cm]	20.4	21.5	23.4	27.7
	[Ncm]	199.8	210.5	229.6	271.2
Stall current	[A]	77.0	40.0	25.9	20.4
Demagnetization current	[A]	66	33	20	13
Weight	[kg]	1.6	1.6	1.6	1.6

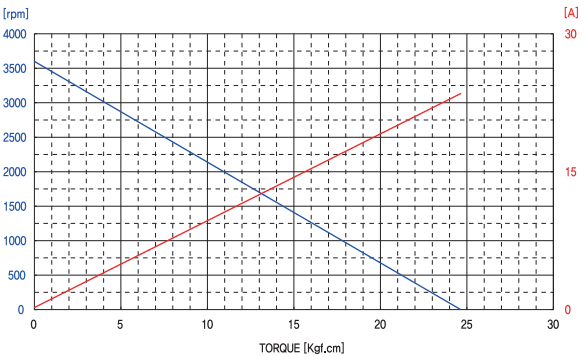
### ■ XD6375-12 Characteristic diagram, 12Vd.c



### ■ XD63100-24 Characteristic diagram, 24Vd.c



### ■ XD63100-40 Characteristic diagram, 40Vd.c



### ■ XD63100-60 Characteristic diagram, 60Vd.c

