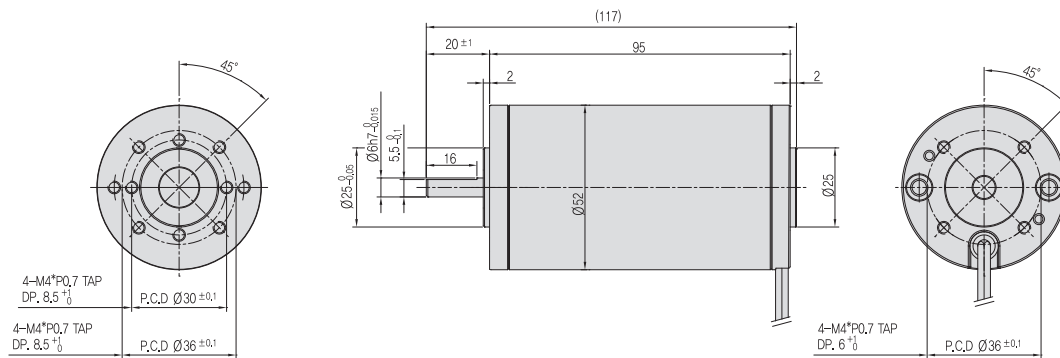


XD & XA SERIES

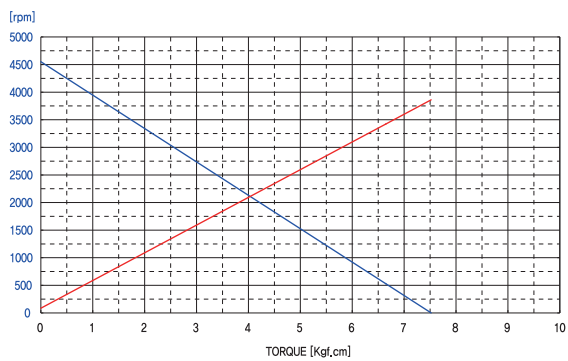
XD5240 Series DC Motor Dimension



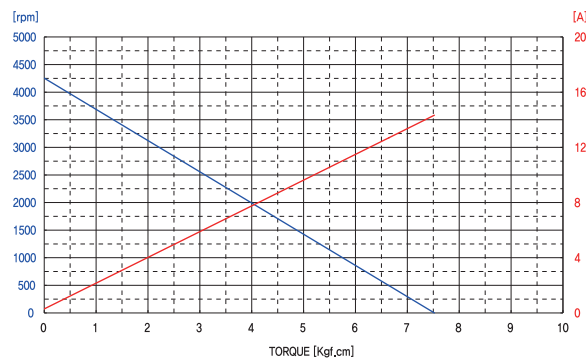
XD5240 Series DC Motor Data Sheet

Data	units	XD5240 Series			
		12	24	40	60
Rated voltage	[Vd.c]	12	24	40	60
No load speed	[r/min]	4500	4200	4300	4600
No load current	[A]	1.20	0.60	0.20	0.14
Rated torque	[kgf.cm]	1.04	1.08	1.07	0.97
	[Ncm]	10.2	10.6	10.5	9.5
Rated speed	[r/min]	3760	3600	3650	4000
Rated current	[A]	4.6	2.3	1.3	0.90
Rated Output power	[W]	40	40	40	40
Stall torque	[kgf.cm]	7.1	7.1	7.0	8.1
	[Ncm]	70.0	70.1	69.1	79.0
Stall current	[A]	34.0	15.8	9.5	7.7
Demagnetization current	[A]	42	20	12	8.5
Weight	[kg]	0.8	0.8	0.8	0.8

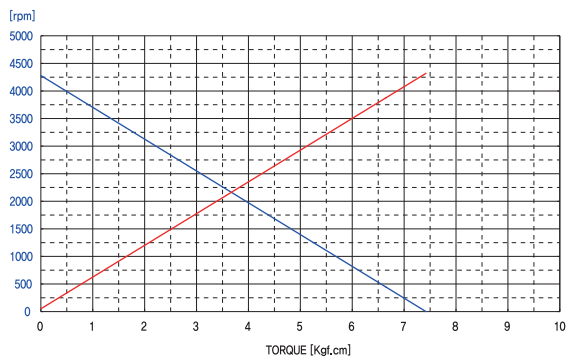
XD5240-12 Characteristic diagram, 12Vd.c



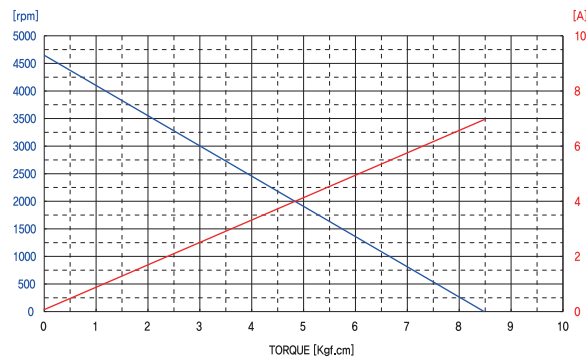
XD5240-24 Characteristic diagram, 24Vd.c



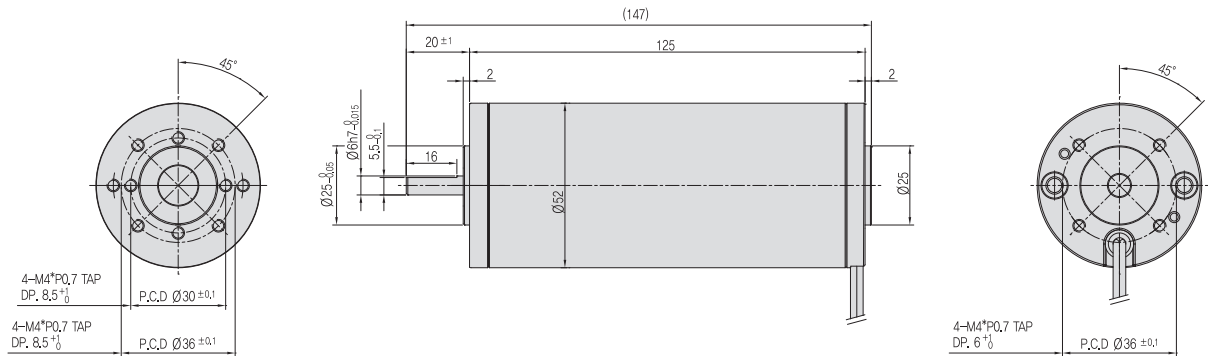
XD5240-40 Characteristic diagram, 40Vd.c



XD5240-60 Characteristic diagram, 60Vd.c



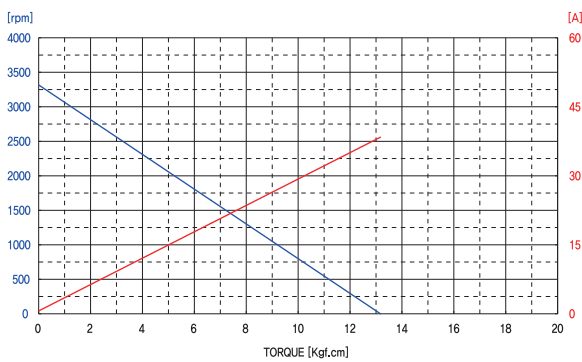
■ XD5260 Series DC Motor Dimension



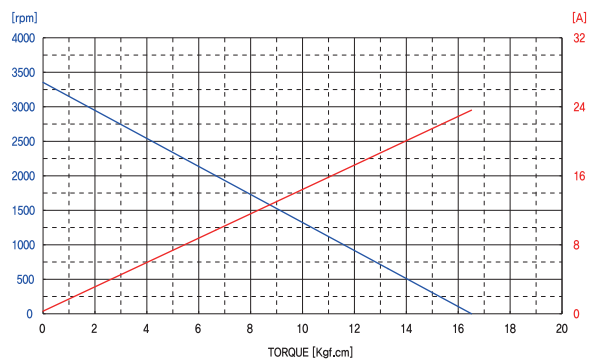
■ XD5260 Series DC Motor Data Sheet

Data	units	XD5260 Series			
Rated voltage	[Vd.c]	12	24	40	60
No load speed	[r/min]	3200	3250	3450	3600
No load current	[A]	1.20	0.60	0.35	0.25
Rated torque	[kgf.cm]	1.95	1.95	1.80	1.69
	[Ncm]	19.1	19.1	17.6	16.6
Rated speed	[r/min]	3000	3000	3250	3450
Rated current	[A]	6.60	3.00	1.80	1.20
Rated Output power	[W]	60	60	60	60
Stall torque	[kgf.cm]	12.5	15.7	17.9	18.1
	[Ncm]	122.7	153.8	175.3	177.8
Stall current	[A]	42.2	26.0	18.6	13.2
Demagnetization current	[A]	61	31	20	13.5
Weight	[kg]	1.15	1.15	1.15	1.15

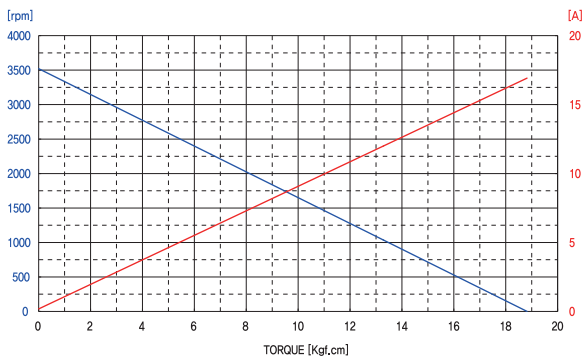
■ XD5260-12 Characteristic diagram, 12Vd.c



■ XD5260-24 Characteristic diagram, 24Vd.c



■ XD5260-40 Characteristic diagram, 40Vd.c



■ XD5260-60 Characteristic diagram, 60Vd.c

