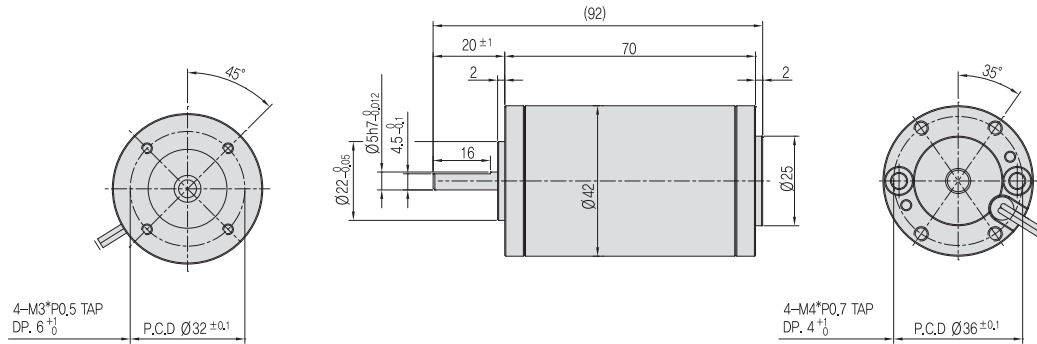


XD & XA SERIES

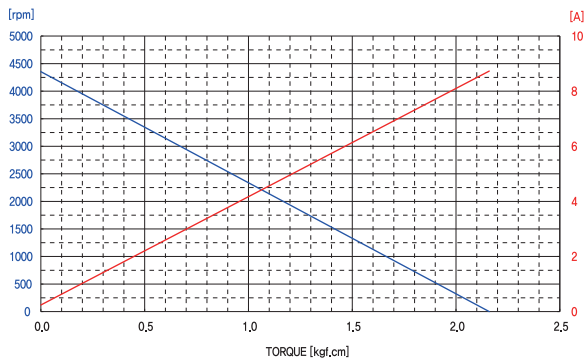
XD4215 Series DC Motor Dimension



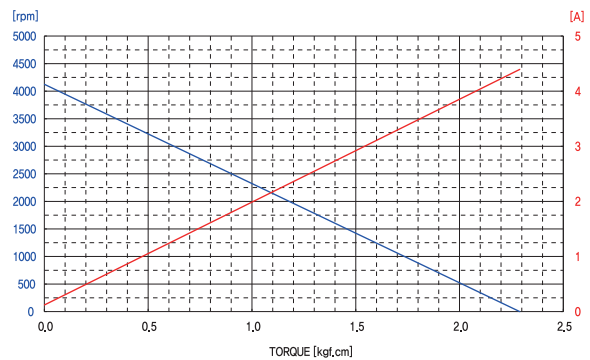
XD4215 Series DC Motor Data Sheet

Data	units	XD4215 Series		
Rated voltage	[Vd.c]	12	24	40
No load speed	[r/min]	4350	4200	4400
No load current	[A]	0,45	0,20	0,15
Rated torque	[kgf.cm]	0,44	0,44	0,41
	[Ncm]	4,3	4,3	4,0
Rated speed	[r/min]	3300	3300	3600
Rated current	[A]	1,85	0,95	0,55
Rated Output power	[W]	15	15	15
Stall torque	[kgf.cm]	2,05	2,18	2,14
	[Ncm]	20,1	21,4	21,0
Stall current	[A]	9,6	4,8	3,0
Demagnetization current	[A]	14	6,5	4,1
Weight	[kg]	0,37	0,37	0,37

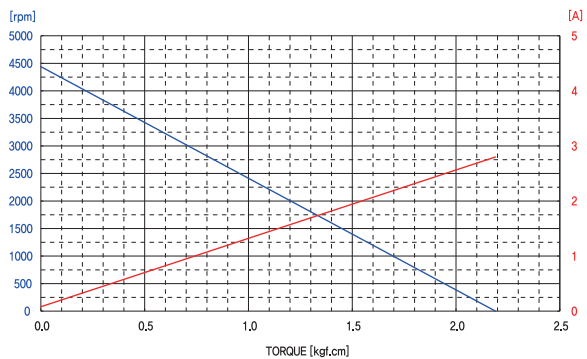
XD4215-12 Characteristic diagram, 12Vd.c



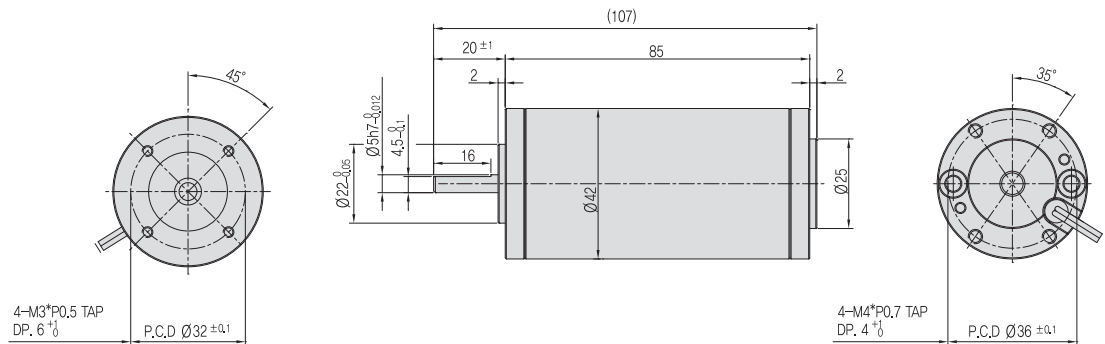
XD4215-24 Characteristic diagram, 24Vd.c



XD4215-40 Characteristic diagram, 40Vd.c



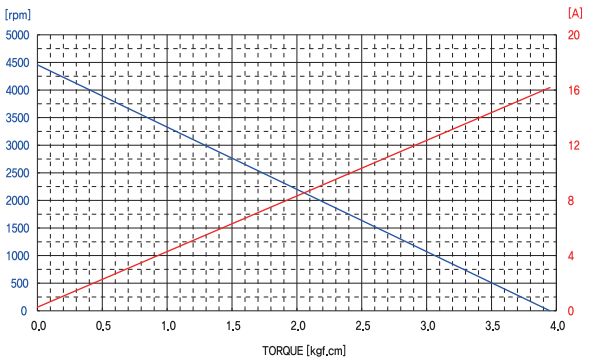
■ XD4220 Series DC Motor Dimension



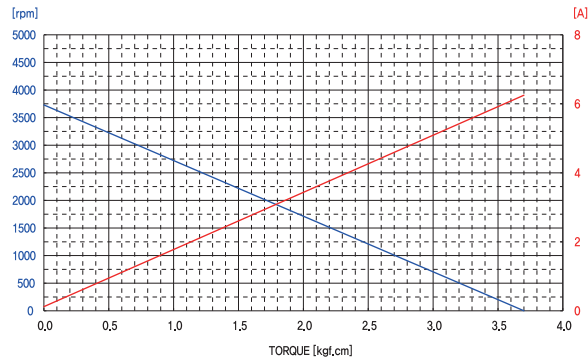
■ XD4220 Series DC Motor Data Sheet

Data	units	XD4220 Series		
Rated voltage	[Vd.c]	12	24	40
No load speed	[r/min]	4550	3800	3950
No load current	[A]	0.50	0.25	0.15
Rated torque	[kgf.cm]	0.52	0.66	0.59
	[Ncm]	5.1	6.5	5.8
Rated speed	[r/min]	3750	3000	3300
Rated current	[A]	2.30	1.20	0.70
Rated Output power	[W]	20	20	20
Stall torque	[kgf.cm]	3.75	3.52	3.63
	[Ncm]	36.8	34.5	35.6
Stall current	[A]	17.8	6.9	4.6
Demagnetization current	[A]	24	10.5	6.3
Weight	[kg]	0.48	0.48	0.48

■ XD4220-12 Characteristic diagram, 12Vd.c



■ XD4220-24 Characteristic diagram, 24Vd.c



■ XD4220-40 Characteristic diagram, 40Vd.c

