

# BLDC Motor | [ L-13875/90/00 ] Brushless DC Motor

## 특징 FEATURES



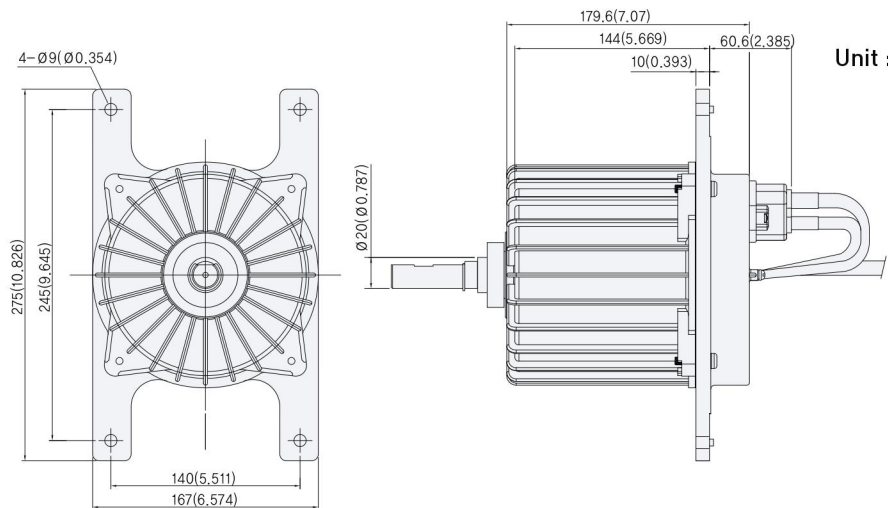
- ◆ **Application** : Air Conditioner, Air Blower, FAN etc.
- ◆ **Input Voltage** : DC 310V
- ◆ **Motor type** : Brushless DC Motor
- ◆ **Drive type** : Sensor Only
- ◆ **Output Rotation** : C.W or C.C.W
- ◆ **Protection** : Current Limit
- ◆ **Insulation Class** : E (120°C)
- ◆ **Frame Material** : ALDC
- ◆ **Lead wire exit** : Variable

◆ **Certification** :

## ● SPECIFICATION

Model	Voltage [Motor] [V]	Voltage [Controller or Hall IC] [V]	Torque (kg.cm)	Input Watts [Wi]	Output Watts [Wo]	Speed [r/min]	Frame Material	Status
DL-13875 TYPE	DC 310	DC 15	75	~ 820	~ 615	~ 800	ALDC	Present
DL-13890 TYPE	DC 310	DC 15	80	~ 986	~ 740	~ 900	ALDC	Present
DL-13800 TYPE	DC 310	DC 15	90	~ 1691	~ 1268	~ 1300	ALDC	Present

## ● DIMENSIONS ▷ A TYPE



## ▷ B TYPE

