

# BLDC Motor | [ DL-12840 ] Brushless DC Motor

## 특징 FEATURES



A



B

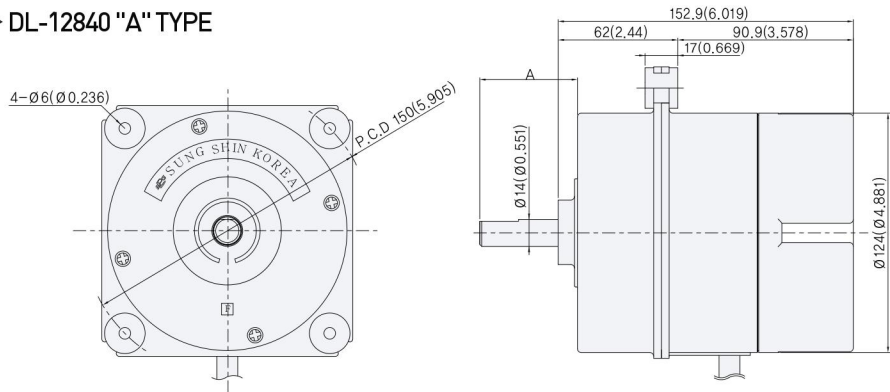
- ◆ **Application** : Air Conditioner, Air Blower, FAN etc.
- ◆ **Input Voltage** : "A" = AC 220V / "B"= DC 310V
- ◆ **Motor type** : Brushless DC Motor
- ◆ **Drive type** : Sensor & Drive IC
- ◆ **Output Rotation** : C.W or C.C.W
- ◆ **Protection** : Current Limit
- ◆ **Insulation Class** : E (120°C)
- ◆ **Frame Material** : ALDC
- ◆ **Lead wire exit** : Variable

◆ **Certification** :

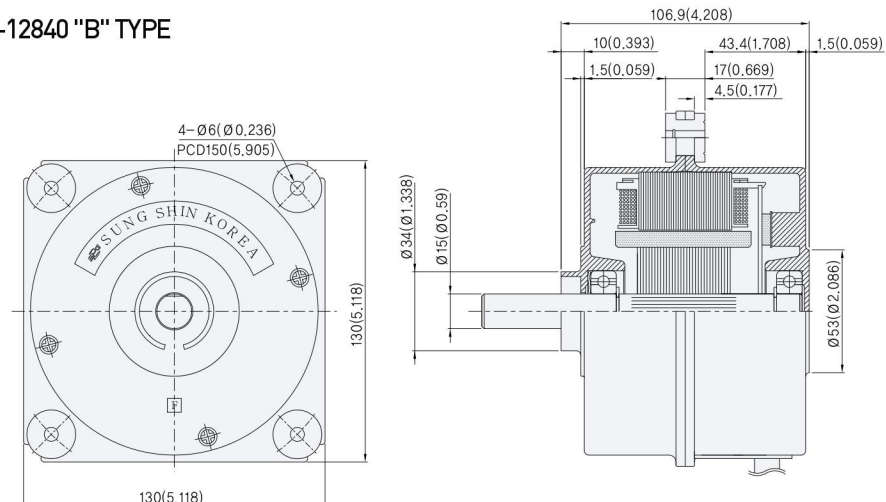
## SPECIFICATION

Model	Voltage [V]	Frequency [Hz]	Torque [kg.cm]	Input Watts [Wi]	Output Watts [Wo]	Speed [r/min]	Frame Material	Note	Status
DL-12840 "A" TYPE	AC 220	50/60	8.8	~ 120	~ 92	~ 1020	ALDC	Ø500,4 $\frac{1}{2}$ Steel FAN	Under Development
			14	~ 180	~ 145	~ 1020	ALDC	Ø550,4 $\frac{1}{2}$ Steel FAN	Under Development
			21.5	~ 290	~ 220	~ 1020	ALDC	Ø600,4 $\frac{1}{2}$ Steel FAN	Under Development
DL-12840 "B" TYPE	DC 310	DC 15	16	~ 320	~ 250	~ 1500	ALDC	-	Present

## DIMENSIONS ▷ DL-12840 "A" TYPE

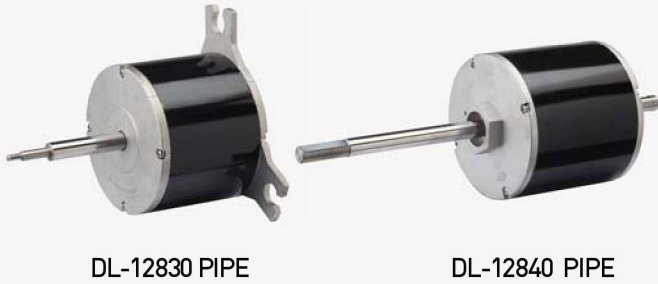


## ▷ DL-12840 "B" TYPE



# BLDC Motor | [ DL-12830, DL-12840 PIPE ] Brushless DC Motor

## 특징 FEATURES



DL-12830 PIPE

DL-12840 PIPE

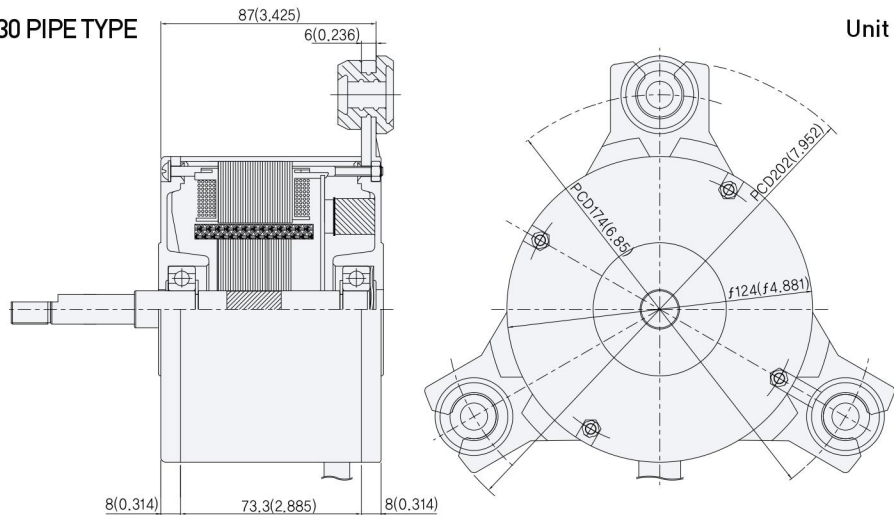
- ◆ **Application** : Air Conditioner, Air Blower, FAN etc.
- ◆ **Input Voltage** : DC 310V
- ◆ **Motor type** : Brushless DC Motor
- ◆ **Drive type** : Sensor & Drive IC
- ◆ **Output Rotation** : C.W or C.C.W
- ◆ **Protection** : Current Limit
- ◆ **Insulation Class** : E (120°C)
- ◆ **Frame Material** : ALDC
- ◆ **Lead wire exit** : Variable

◆ **Certification** : 

## ● SPECIFICATION

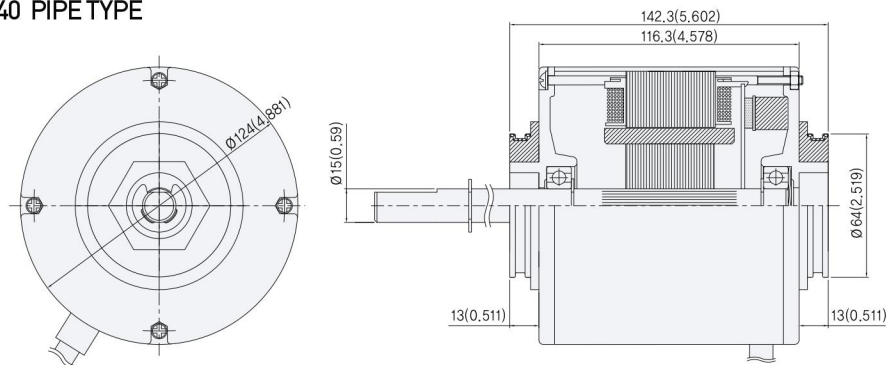
Model	Voltage [Motor] [V]	Voltage [Controller or Hall IC] [V]	Torque [kg.cm]	Input Watts [Wi]	Output Watts [Wo]	Speed [r/min]	Frame Material	Status
DL-12830 TYPE	DC 310	DC 15	15	~ 200	~ 150	~ 1000	PIPE+ALDC	Present
DL-12840 TYPE	DC 310	DC 15	16	~ 320	~ 250	~ 1500	PIPE+ALDC	Present

## ● DIMENSIONS ▷ DL-12830 PIPE TYPE



Unit : mm

## ▷ DL-12840 PIPE TYPE




# BLDC Motor | [ DL-12830, DL-12840 BMC ] Brushless DC Motor

## 특징 FEATURES



DL-12830 BMC

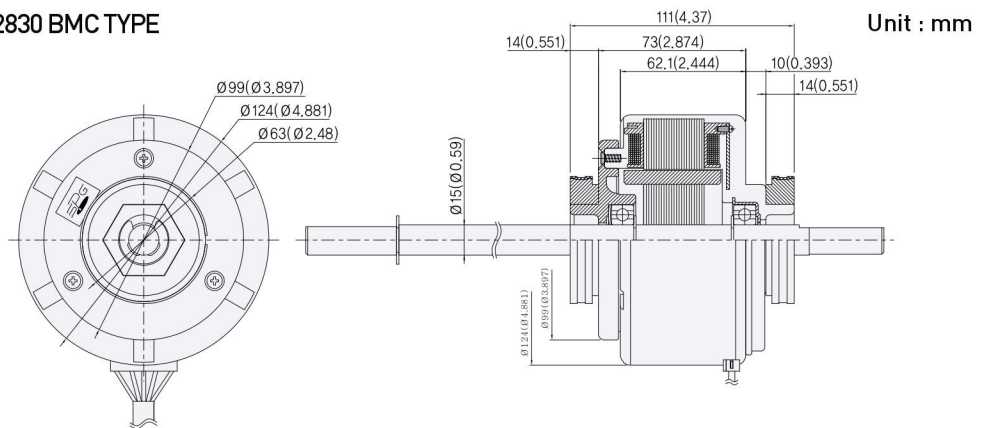
DL-12840 BMC

- ◆ **Application** : Air Conditioner, Air Blower, FAN etc.
- ◆ **Input Voltage** : DC 310V
- ◆ **Motor type** : Brushless DC Motor
- ◆ **Drive type** : Sensor Only or Sensor & Drive IC
- ◆ **Output Rotation** : C.W or C.C.W
- ◆ **Protection** : Current Limit
- ◆ **Insulation Class** : E (120°C)
- ◆ **Frame Material** : BMC
- ◆ **Lead wire exit** : Variable
- ◆ **Certification** : 

## ● SPECIFICATION

Model	Voltage [Motor] [V]	Voltage [Controller or Hall IC] [V]	Torque [kg.cm]	Input Watts [Wi]	Output Watts [Wo]	Speed [r/min]	Frame Material	Status
DL-12830 BMC TYPE	DC 310	DC 15	15	~ 200	~ 150	~ 1000	BMC	Present
DL-12840 BMC TYPE	DC 310	DC 15	16	~ 320	~ 250	~ 1500	BMC	Present

## ● DIMENSIONS ▷ DL-12830 BMC TYPE



## ▷ DL-12840 BMC TYPE

