

# BLDC Motor | [ DL-95812 BMC ] Brushless DC Motor

## 특징 FEATURES



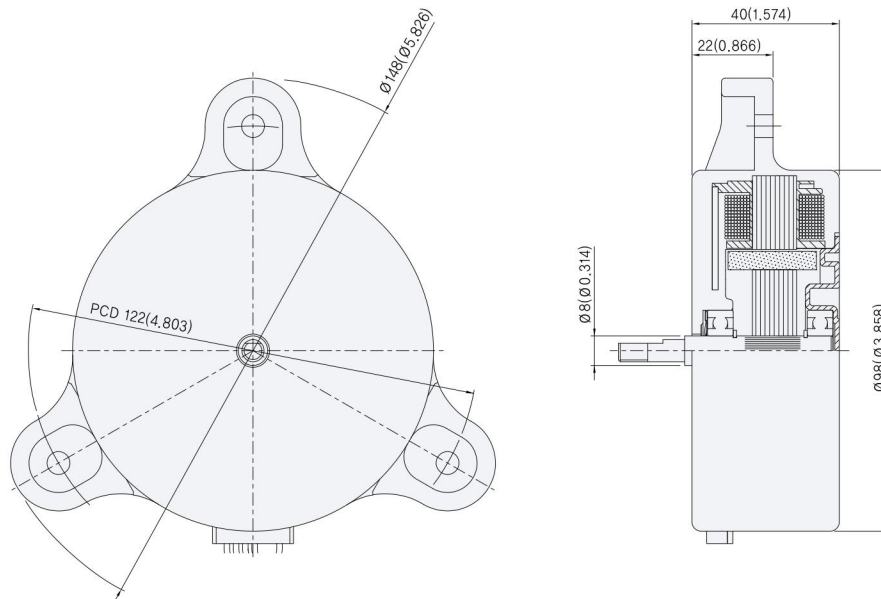
- ◆ **Application** : Air Conditioner, Air Purifier, Air Blower, FAN etc.
- ◆ **Input Voltage** : DC 310V
- ◆ **Motor type** : Brushless DC Motor
- ◆ **Drive type** : Sensor & Drive IC
- ◆ **Output Rotation** : C.W or C.C.W
- ◆ **Protection** : Current Limit
- ◆ **Insulation Class** : E (120°C)
- ◆ **Frame Material** : BMC
- ◆ **Lead wire exit** : Variable

## ● SPECIFICATION

| Model             | Voltage [Motor] [V] | Voltage [Controller or Hall IC] [V] | Torque [kg.cm] | Input Watts [Wi] | Output Watts [Wo] | Speed [r/min] | Frame Material | Status  |
|-------------------|---------------------|-------------------------------------|----------------|------------------|-------------------|---------------|----------------|---------|
| DL-95812 BMC TYPE | DC 310              | DC 15                               | 5.3            | ~ 50             | ~ 33              | ~ 600         | BMC            | Present |

## ● DIMENSIONS ▷ DL-95812 BMC TYPE

Unit : mm



# BLDC Motor | [ DL-95830 BMC ] Brushless DC Motor

## 특징 FEATURES



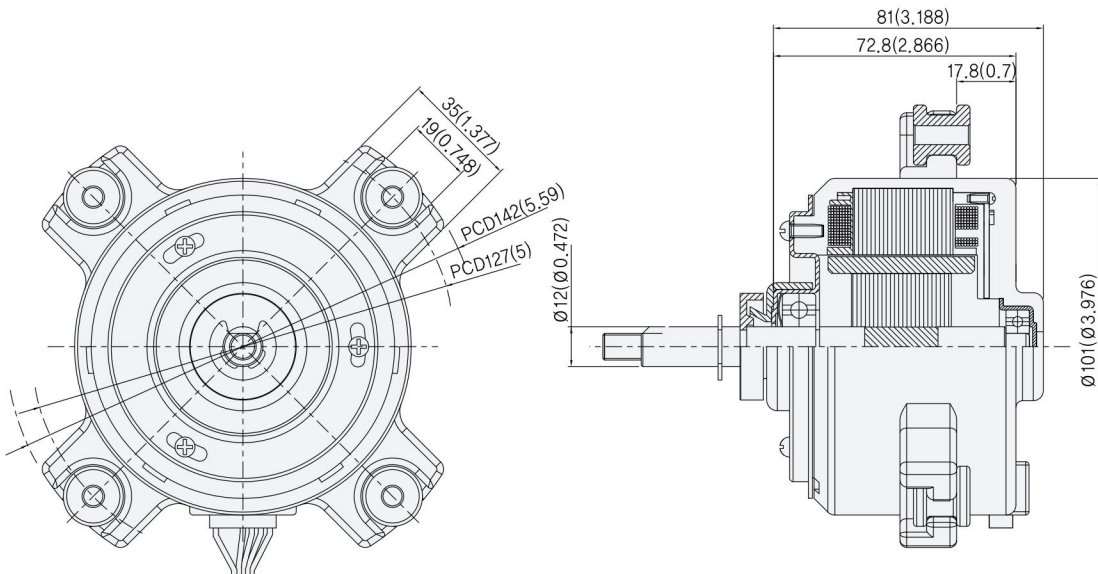
- ◆ **Application** : Air Conditioner, Air Purifier, Air Blower, FAN etc.
- ◆ **Input Voltage** : DC 310V
- ◆ **Motor type** : Brushless DC Motor
- ◆ **Drive type** : Sensor & Drive IC
- ◆ **Output Rotation** : C.W or C.C.W
- ◆ **Protection** : Current Limit
- ◆ **Insulation Class** : E (120°C)
- ◆ **Frame Material** : BMC
- ◆ **Lead wire exit** : Variable

## ● SPECIFICATION

| Model             | Voltage [Motor] [V] | Voltage [Controller or Hall IC] [V] | Torque [kg.cm] | Input Watts [W] | Output Watts [Wo] | Speed [r/min] | Frame Material | Status  |
|-------------------|---------------------|-------------------------------------|----------------|-----------------|-------------------|---------------|----------------|---------|
| DL-95830 BMC TYPE | DC 310              | DC 15                               | 9              | ~ 110           | ~ 83              | ~ 900         | BMC            | Present |

## ● DIMENSIONS ▷ DL-95830 BMC TYPE

Unit : mm



# BLDC Motor | [ DL-95835 BMC ] Brushless DC Motor

## 특징 FEATURES



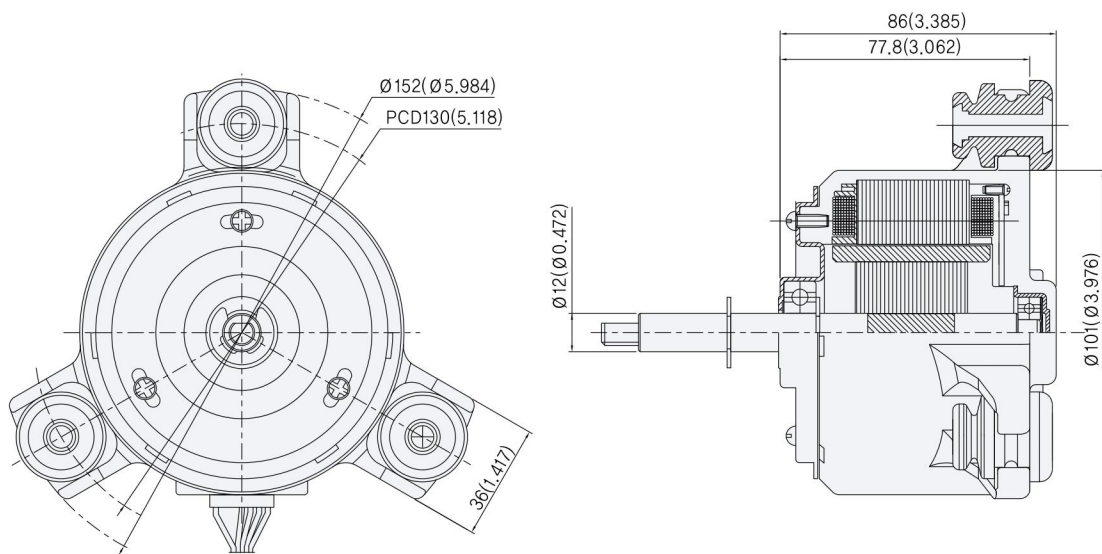
- ◆ **Application** : Air Conditioner, Air Purifier, Air Blower, FAN etc.
- ◆ **Input Voltage** : DC 310V
- ◆ **Motor type** : Brushless DC Motor
- ◆ **Drive type** : Sensor & Drive IC
- ◆ **Output Rotation** : C.W or C.C.W
- ◆ **Protection** : Current Limit
- ◆ **Insulation Class** : E (120°C)
- ◆ **Frame Material** : BMC
- ◆ **Lead wire exit** : Variable

## ● SPECIFICATION

| Model             | Voltage [Motor] [V] | Voltage [Controller or Hall IC] [V] | Torque [kg.cm] | Input Watts [Wi] | Output Watts [Wo] | Speed [r/min] | Frame Material | Status  |
|-------------------|---------------------|-------------------------------------|----------------|------------------|-------------------|---------------|----------------|---------|
| DL-95835 BMC TYPE | DC 310              | DC 15                               | 15             | ~ 186            | ~ 138             | ~ 900         | BMC            | Present |

## ● DIMENSIONS ▷ DL-95835 BMC TYPE

Unit : mm




# BLDC Motor | [ DL-95820 / DL-95835 ] Brushless DC Motor

## 특징 FEATURES



DL-95820

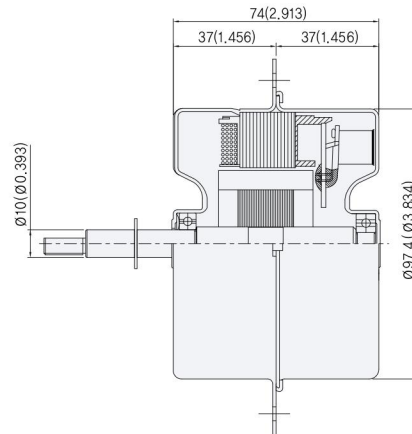
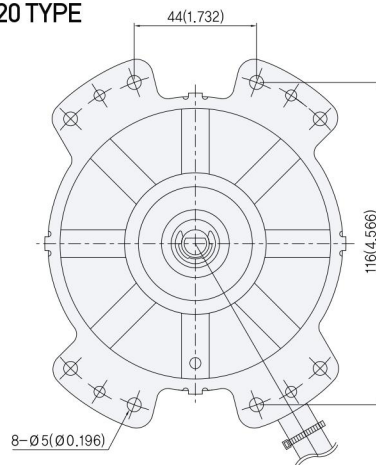
DL-95835

- ◆ **Application** : Air Conditioner, Air Purifier, Air Blower, FAN etc.
- ◆ **Input Voltage** : DC 310V
- ◆ **Motor type** : Brushless DC Motor
- ◆ **Drive type** : Sensor & Drive IC
- ◆ **Output Rotation** : C.W or C.C.W
- ◆ **Protection** : Current Limit
- ◆ **Insulation Class** : E (120°C)
- ◆ **Frame Material** : G.I(PRESS)
- ◆ **Lead wire exit** : Variable
- ◆ **Certification** : 

## ● SPECIFICATION

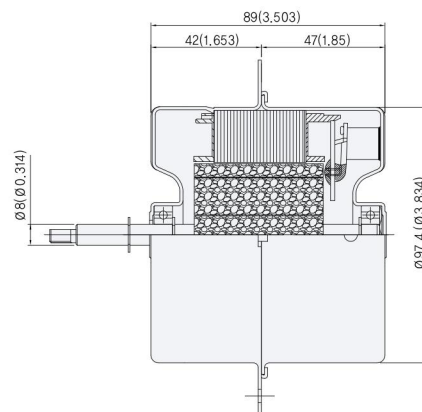
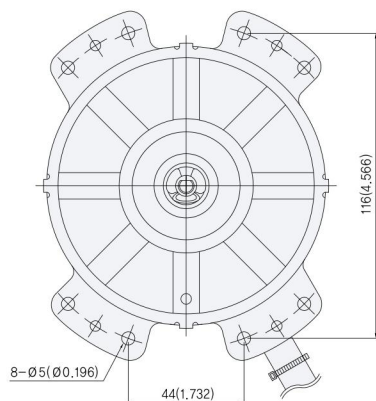
| Model         | Voltage [Motor] (V) | Voltage [Controller or Hall IC] (V) | Torque (kg.cm) | Input Watts [Wi] | Output Watts [Wo] | Speed [r/min] | Frame Material | Status  |
|---------------|---------------------|-------------------------------------|----------------|------------------|-------------------|---------------|----------------|---------|
| DL-95820 TYPE | DC 310              | DC 15                               | 6              | ~ 91             | ~ 68              | ~ 1100        | G.I(PRESS)     | Present |
| DL-95835 TYPE | DC 310              | DC 15                               | 12             | ~ 173            | ~ 130             | ~ 1050        | G.I(PRESS)     | Present |

## ● DIMENSIONS ▷ DL-95820 TYPE



Unit : mm

## ▷ DL-95835 TYPE




# BLDC Motor | [ DL-95835 ] Brushless DC Motor

## 특징 FEATURES



A

B

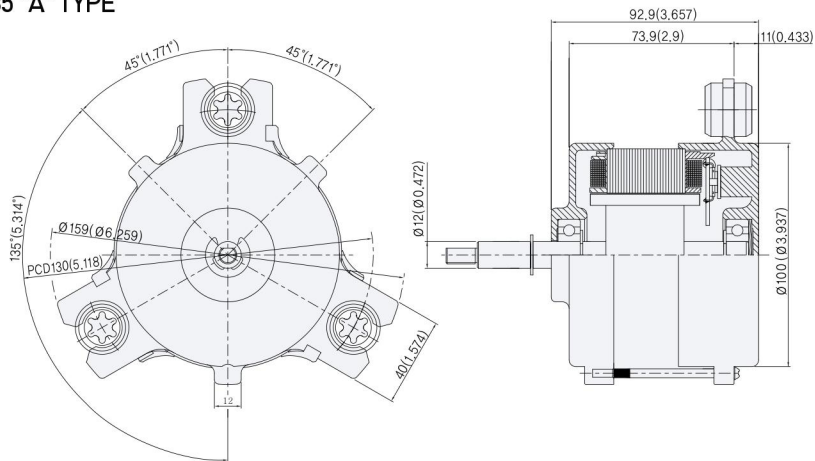
- ◆ **Application** : Air Conditioner, Air Purifier, Air Blower, FAN etc.
- ◆ **Input Voltage** : DC 310V
- ◆ **Motor type** : Brushless DC Motor
- ◆ **Drive type** : Sensor & Drive IC
- ◆ **Output Rotation** : C.W or C.C.W
- ◆ **Protection** : Current Limit
- ◆ **Insulation Class** : E (120°C)
- ◆ **Frame Material** : ALDC
- ◆ **Lead wire exit** : Variable
- ◆ **Certification** : 

## ● SPECIFICATION

| Model                  | Voltage [Motor] (V) | Voltage [Controller or Hall IC] (V) | Torque (kg.cm) | Input Watts [Wi] | Output Watts [Wo] | Speed [r/min] | Frame Material | Status  |
|------------------------|---------------------|-------------------------------------|----------------|------------------|-------------------|---------------|----------------|---------|
| DL-95835 "A", "B" TYPE | DC 310              | DC 15                               | 12             | ~ 173            | ~ 130             | ~ 1050        | ALDC           | Present |

## ● DIMENSIONS ▷ DL-95835 "A" TYPE

Unit : mm



## ▷ DL-95835 "B" TYPE

