

BLDC Motor | [DL-88412 / DL-88430] Brushless DC Motor

특징 FEATURES



DL-88412

DL-88430

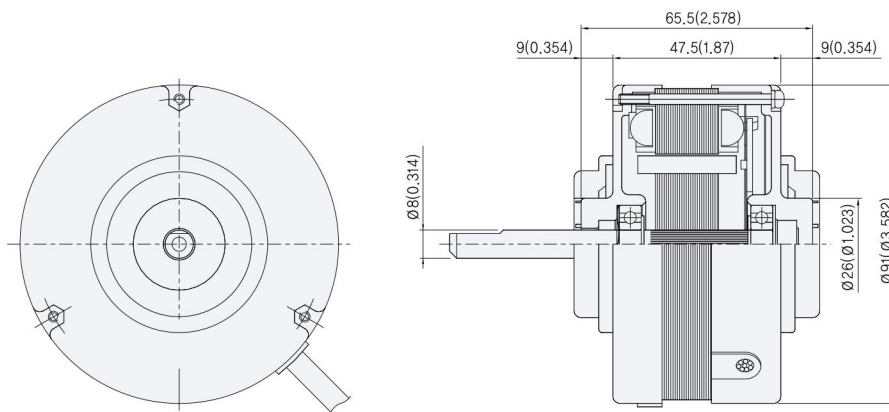
- ◆ **Application** : Air Conditioner, Air Purifier, Air Blower, FAN etc.
- ◆ **Input Voltage** : DC 36V
- ◆ **Motor type** : Brushless DC Motor
- ◆ **Drive type** : Sensor Only or Sensor & Drive IC
- ◆ **Output Rotation** : C.W or C.C.W
- ◆ **Protection** : Current Limit
- ◆ **Insulation Class** : E (120°C)
- ◆ **Frame Material** : ALDC
- ◆ **Lead wire exit** : Variable

● SPECIFICATION

Model	Voltage [Motor] (V)	Voltage [Controller or Hall IC] (V)	Torque (kg.cm)	Input Watts [Wi]	Output Watts [Wo]	Speed [r/min]	Frame Material	Status
DL-88412 TYPE	DC 43	DC 12	0.9	~ 53	~ 37	~ 4000	ALDC	Present
DL-88430 TYPE	DC 36	DC 12	3	~ 65	~ 46	~ 1500	ALDC	Present

● DIMENSIONS ▷ DL-88412 TYPE

Unit : mm



▷ DL-88430 TYPE

