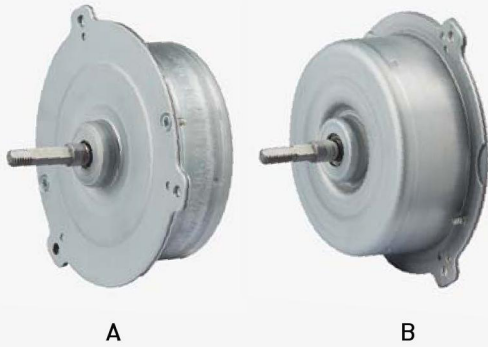


BLDC Motor | [DL-7806] Brushless DC Motor

특징 FEATURES

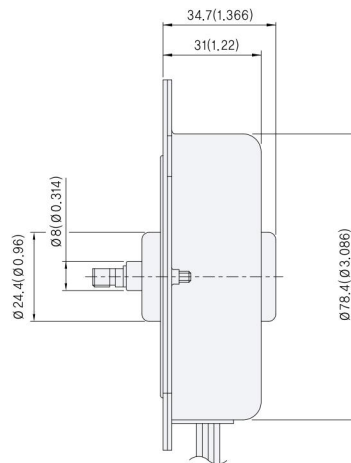
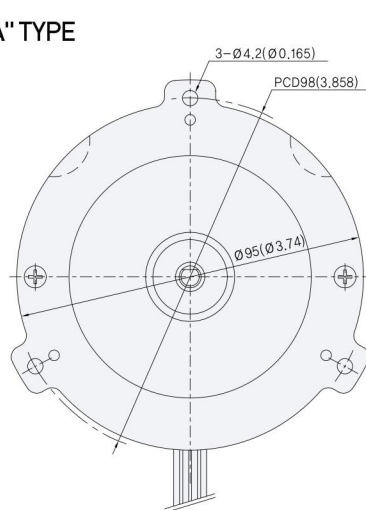


- ◆ **Application** : Air Conditioner, Air Purifier, Air Blower, FAN etc.
- ◆ **Input Voltage** : DC 43V / DC 310V
- ◆ **Motor type** : Brushless DC Motor
- ◆ **Drive type** : Sensor & Drive IC
- ◆ **Output Rotation** : C.W or C.C.W
- ◆ **Protection** : Current Limit
- ◆ **Insulation Class** : E (120°C)
- ◆ **Frame Material** : G.I.(PRESS)
- ◆ **Lead wire exit** : Variable

● SPECIFICATION

| Model | Voltage [Motor] (V) | Voltage [Controller or Hall IC] (V) | Torque (kg.cm) | Input Watts [W] | Output Watts [Wo] | Speed [r/min] | Frame Material | Status |
|-----------------------|---------------------|-------------------------------------|----------------|-----------------|-------------------|---------------|----------------|---------|
| DL-7806 "A", "B" TYPE | DC 43 | DC 12 | 0.5 | ~ 30 | ~ 20 | ~ 4000 | G.I.(PRESS) | Present |
| DL-7806 "A", "B" TYPE | DC 310 | DC 15 | 0.5 | ~ 30 | ~ 20 | ~ 4000 | G.I.(PRESS) | Present |

● DIMENSIONS ▷ DL-7806 "A" TYPE



Unit : mm

▷ DL-7806 "B" TYPE

