


BLDC Motor | [ADL-5626] AC Input Brushless DC Motor

특징 FEATURES



- ◆ **Application** : Refrigerator Evaporator or Condenser fan motor
- ◆ **Input Voltage** : AC 115-120V, AC 220-240V
- ◆ **Motor type** : Single Phase Bipolar
- ◆ **Drive type** : Sensor
- ◆ **Output Rotation** : C.W or C.C.W
- ◆ **Protection** : Impedance Protected
- ◆ **Insulation Class** : A (105°C)
- ◆ **Frame Material** : PBT (Epoxy Molding)
- ◆ **Lead wire exit** : Variable

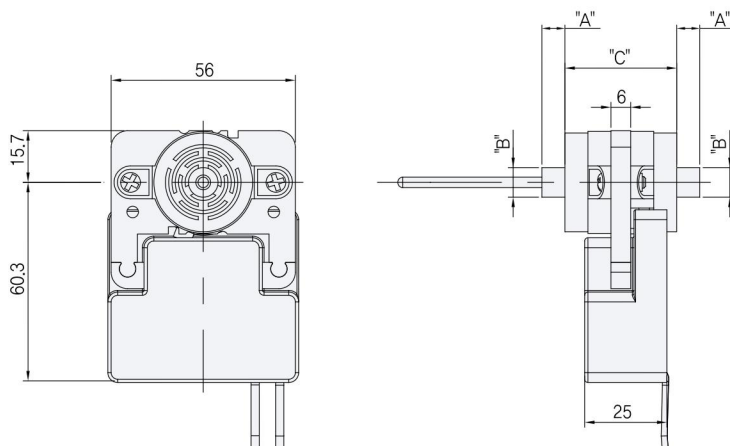
◆ **Certification** : 

● SPECIFICATION

Model	Voltage (V)	Frequency (Hz)	Output Watts [W]	Speed [r/min]	Efficiency (%)	Shaft Diameter (mm)	Frame Material	Status
ADL-5626 TYPE	AC 115-120	50/60	~ 2.0 Max.	~ 3000	~ 50 Max.	Φ3.17	PBT (Epoxy Molding)	Jul. 2017
	AC 220-240	50/60	~ 2.0 Max.	~ 3000	~ 50 Max.	Φ3.17	PBT (Epoxy Molding)	Jul. 2017

● DIMENSIONS ▷ ADL-5626 TYPE (1-Phase : Bipolar)

Unit : mm



■ DIMENSION

Model	"A" mm	Φ "B"	"C" mm
TYPE 1	7.0	9.0	34.0
TYPE 2	12.5	10.4	40.0
TYPE 3	10.0	8.0	40.0