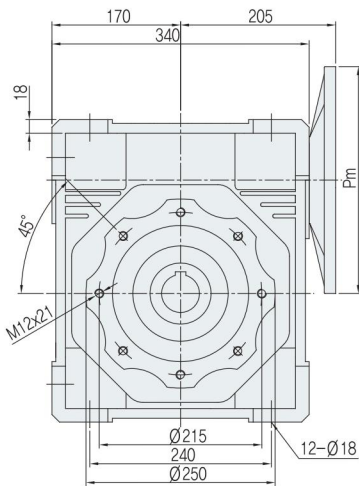




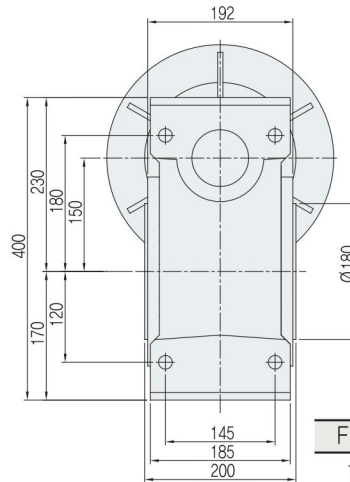
# PC Series WORM REDUCER

# 150

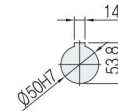
## ■ PCMRV TYPE DIMENSIONS



Input shaft hole



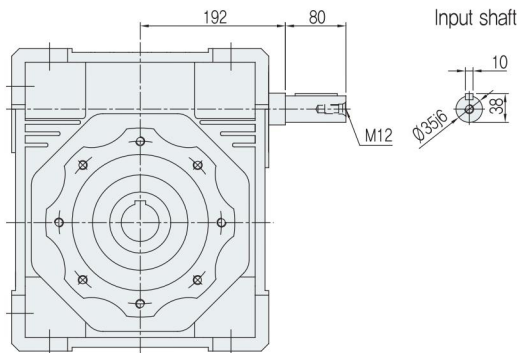
Output shaft hole



Weight : 84.0 kg

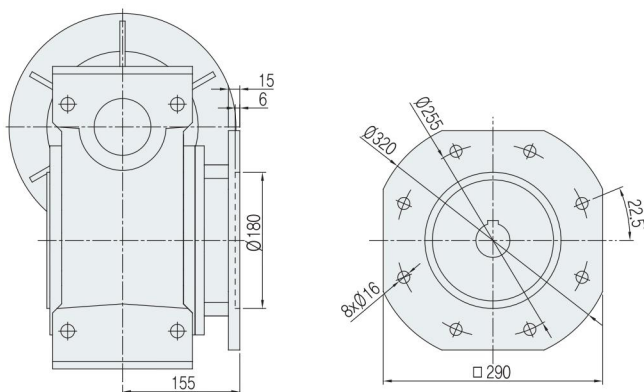
FRAME	Pm	Dm	bm	tm
160B5	350	Ø42	12	45.3
132B5	300	Ø38	10	41.3
110/112B5	250	Ø28	8	31.3

## ■ PCRV TYPE DIMENSIONS



Weight : 84.0 kg

## ■ FA OUTPUT FLANGE DIMENSIONS



Weight : 8.0 kg

- ※ Output Flange는 Reducer와 조립되어 발송되지 않으며, 별도 주문품입니다.  
Output flange is sent without assembling with reducer and is to be ordered separately.
- ※ 위 조립 치수는 조립 후 참조 치수입니다.  
Above dimension for assembly is a reference post-assembly dimension.