



프리미엄효율 (Premium Efficiency)

# P Series 3-Phase Flange Mounted Type

# 0.75kW

## ■ SPECIFICATION

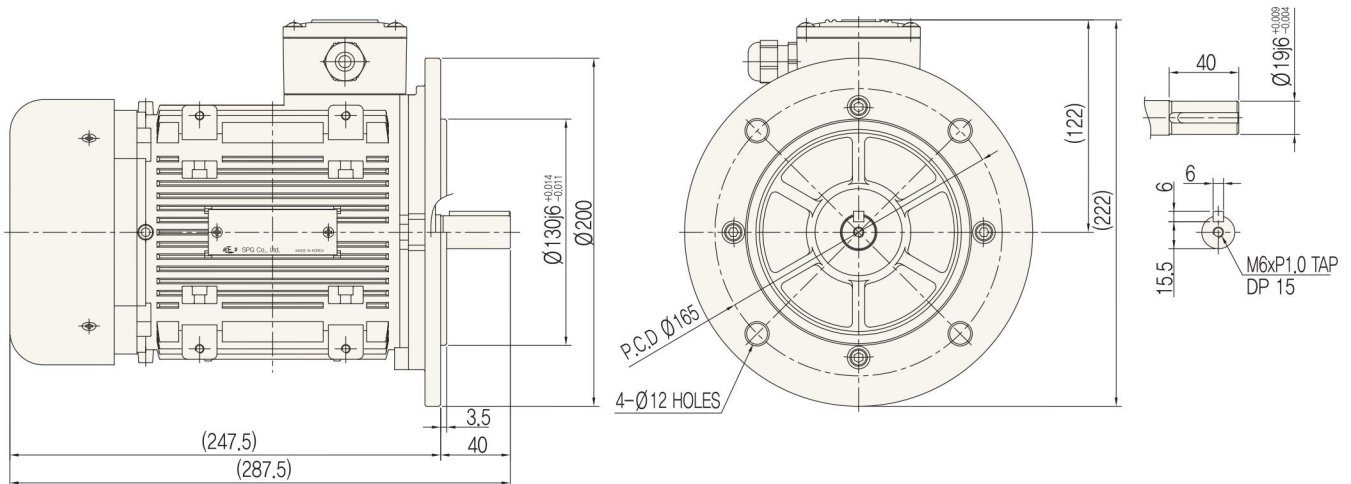
### ■ MOTOR

프레임 형번 Frame No.	출력 Output (kW)	기종명 Model Name	극수 Poles	전압 Voltage (V)	주파수 Freq. (Hz)	사용 조건 Duty	정격 부하 [Rated Load]					보호 등급 Degrees of protection	절연 등급 Insulation Classification	냉각 방식 Protective Cooling System
							전류 Current (A)	속도 Speed (r/min)	토크 Torque (kgf-cm)	역율 Power Factor(p.u.)	효율 Efficiency (%)			
80M	0.75	PPEF075- 2R4F□□	2	220/380	60	CONT.	3.30/1.90	3450	21.1	0.78	77.7	IP55	F	Totally Enclosed Fan-Cooled
				230/400	50		2.85/1.65	2890	25.3	0.79	80.7			
		PPEH075- 2U6F□□	2	460	60		1.60	3465	24.0	0.82	77.7			
				220/380	60		3.10/1.80	1725	42.5	0.75	83.5			
		PPEJ075- 4R4F□□	4	230/400	50		3.10/1.80	1425	51.3	0.71	82.5			
				460	60		1.75	1710	48.8	0.75	83.5			
90L		PPGJ075- 6U6F□□	6	220/380	60	4.00/2.30	1160	62.5	0.61	82.8				
				230/400	50	3.60/2.10	965	75.0	0.62	78.9				
		PPGJ075- 6U6F□□	6	460	60	2.00	1160	72.0	0.65	82.5				

- Note) • Foot(Leg) Mounted Type 과 Flange Mounted Type 제품은 특성이 동일합니다.  
(Foot (Leg) Mounted Type and Flange Mounted Type have the same specifications)  
• 전압 U6 모델의 실제 정격출력은 230V/400V 50Hz에서 0.75kW, 460V 60Hz에서 0.86kW입니다.  
(Actual rated power for voltage U6 model is 0.75kW at 230V/400V 50Hz and 0.86kW at 460V 60Hz)

## ■ PE-F Type DIMENSIONS [ Flange Mounted Type ]

UNIT = mm



- Note) • 키 및 키홈 공차(Key and Key groove tolerance) : KS B 1311  
• 출력축 ØD공차(ØD tolerance for output shaft) : KS B 0401

Bearing No.		Weight
Load	Unload	
6204ZZ	6203ZZ	11.7kg