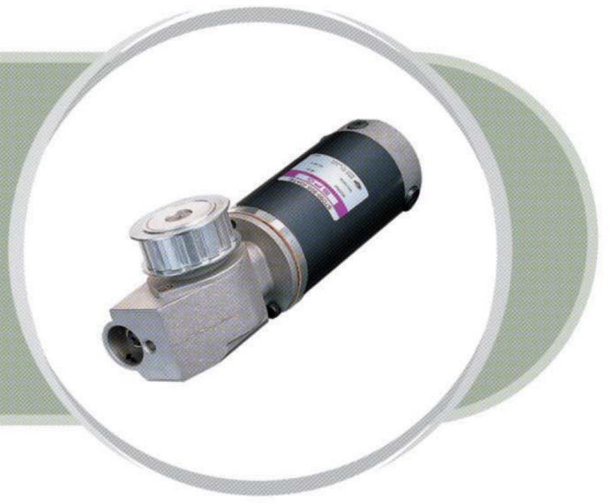
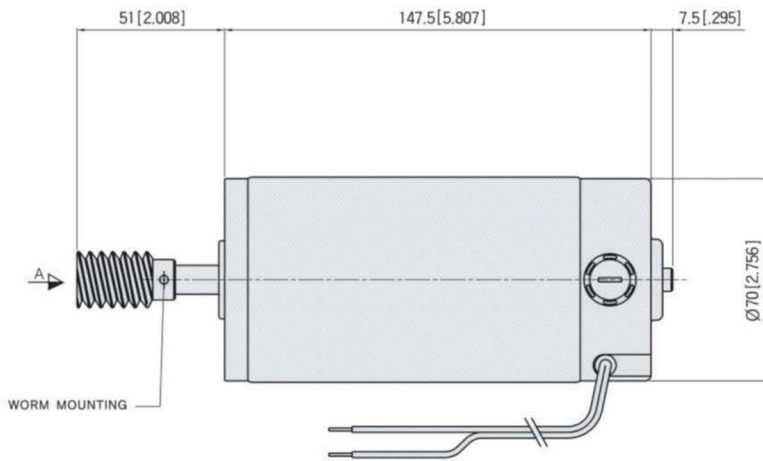


# SPECIAL TYPE AUTOMATIC DOOR DC MOTOR

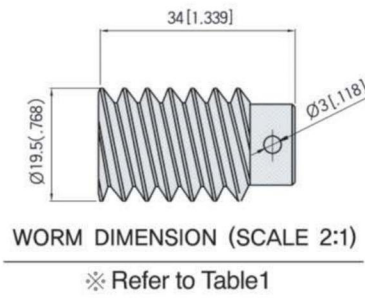
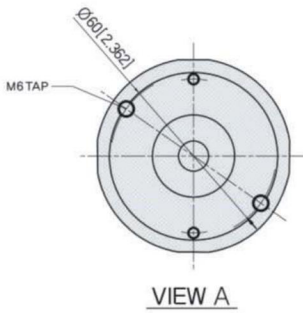
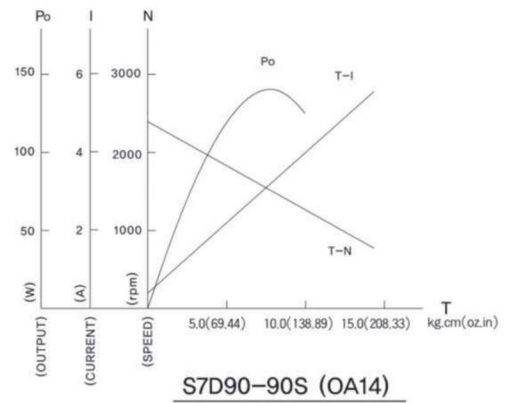


## MOTOR DIMENSION

UNIT : mm[inch]



## CHARACTERISTIC CURVE



## SPEC for worm gear (㉠)

MODULE	1.25
NO. OF STARTS	3(Right)
P.C.D	17(.669)

## MOTOR SPECIFICATION

Type	Voltage	Output	No Load		Rated Load			Run Duty	Weight (Only motor)
			Revolution	Current	Revolution	Torque	Current		
	V	W	RPM	A	RPM	kg · cm(oz · in)	A	Hr	Kg(oz)
S7D90-90S(OA14)	90	90	2400	MAX,0.2	2000	4.4(61,11)	1.5	2000	1.9(67.0)

※ Run Duty는 정격전압인가 무부하 기준입니다.