

BLDC Motor | [DL-2748 Φ 100~ Φ 125 FAN] Brushless DC Motor

특징 FEATURES



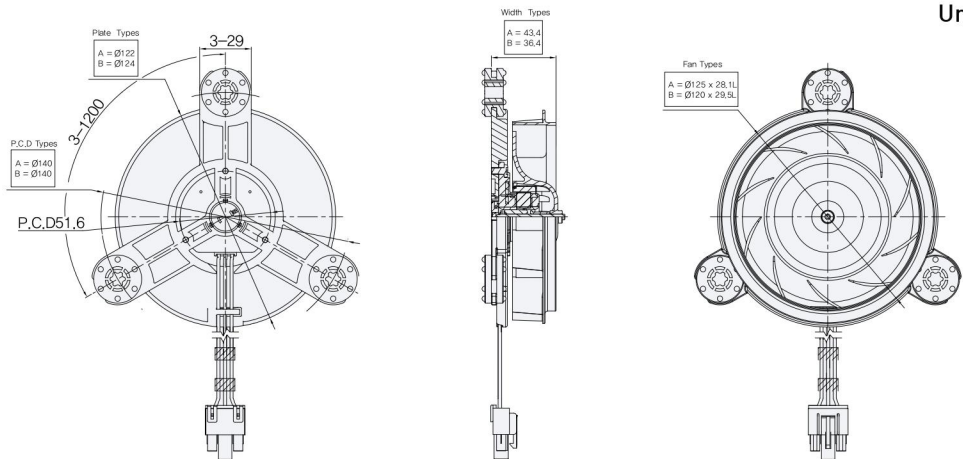
- ◆ **Application** : Refrigerator Evaporator fan motor
- ◆ **Input Voltage** : DC 7 ~ 15V
- ◆ **Motor type** : Single Phase Bipolar
- ◆ **Drive type** : Sensor or Sensorless
- ◆ **Speed Control** : DC voltage or PWM
- ◆ **Output Rotation** : C.W or C.C.W
- ◆ **Protection** : Current Limit, Thermal Protection, Lock Protection
- ◆ **Insulation Class** : A (105°C)
- ◆ **Frame Material** : PP(Polypropylene) or NON-MOLDING
- ◆ **Lead wire exit** : Variable

◆ **Certification** : c us

● SPECIFICATION

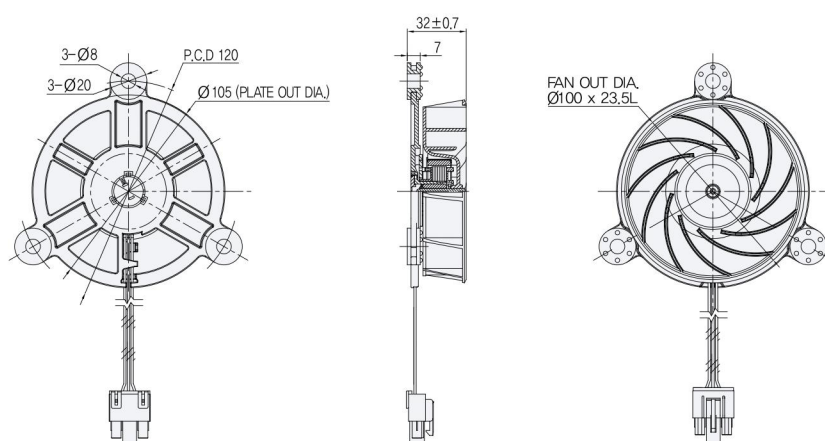
Model	Voltage [V]	Output Watts [W]	Speed [r/min]	Efficiency (%)	FG Output (Pulse/Rev)	Shaft Diameter (mm)	Frame Material	Status
DL-2748 TYPE (Φ 125X28.1L)	DC 12	~ 1.5 Max.	~ 1500	~ 50 Max.	2	Φ 3.17	PP	Present
DL-2748 TYPE (Φ 120X29.5L)	DC 12	~ 1.5 Max.	~ 1800	~ 50 Max.	2	Φ 3.17	PP	Present
DL-2748 TYPE (Φ 100X23.5L)	DC 12	~ 1.5 Max.	~ 1800	~ 50 Max.	2	Φ 3.17	NON MOLDING	Present

● DIMENSIONS ▷ DL-2748TYPE : Φ 120 ~ 125 FAN



Unit : mm

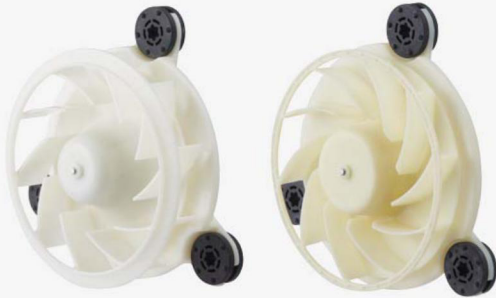
▷ DL-2748TYPE : Φ 100 FAN



Unit : mm

BLDC Motor | [DL-2768 Φ 125~ Φ 140 FAN] Brushless DC Motor

특징 FEATURES



- ◆ **Application** : Refrigerator Evaporator fan motor
- ◆ **Input Voltage** : DC 7 ~ 15V
- ◆ **Motor type** : 3 Phase
- ◆ **Drive type** : Sensor or Sensorless
- ◆ **Speed Control** : DC voltage or PWM
- ◆ **Output Rotation** : C.W or C.C.W
- ◆ **Protection** : Current Limit, Thermal Protection, Lock Protection
- ◆ **Insulation Class** : A (105°C)
- ◆ **Frame Material** : PP(Polypropylene)
- ◆ **Lead wire exit** : Variable

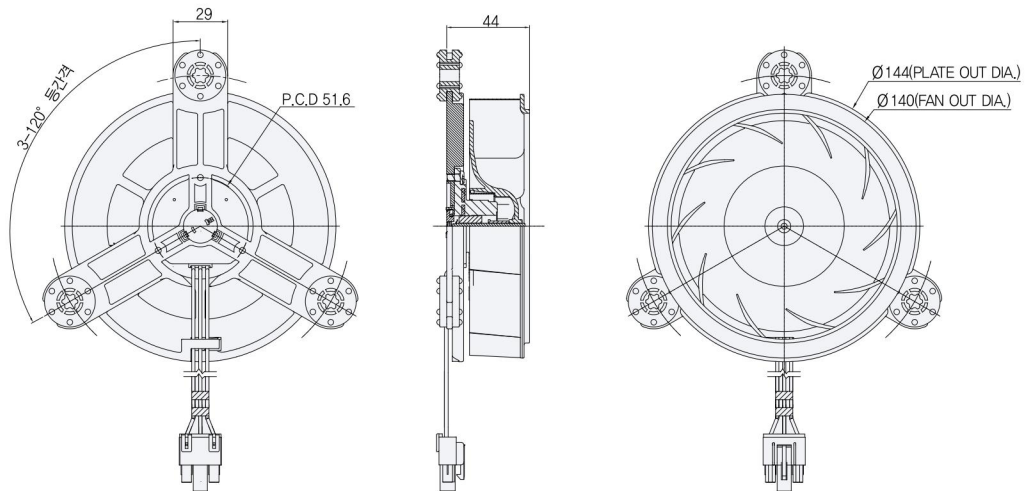
◆ **Certification** : c us

● SPECIFICATION

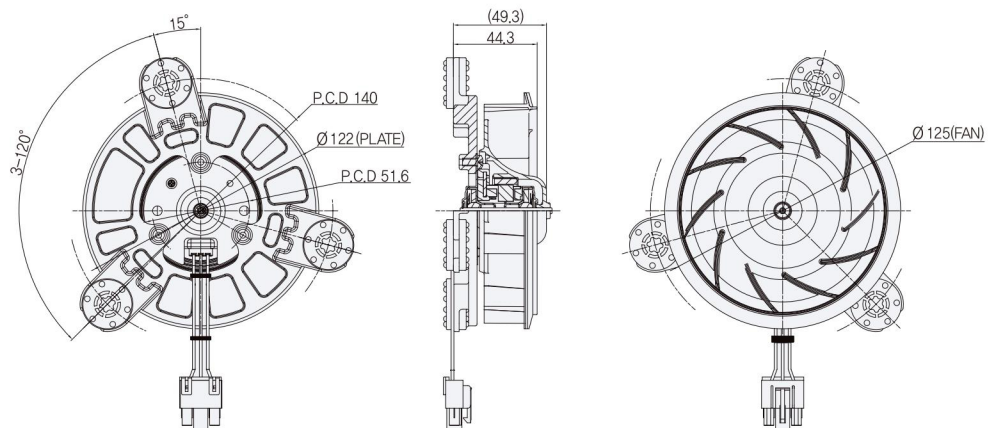
Model	Voltage [V]	Output Watts [W]	Speed [r/min]	Efficiency [%]	FG Output (Pulse/Rev)	Shaft Diameter (mm)	Frame Material	Status
DL-2768 TYPE (Φ 140X31.9L)	DC 12	~ 2.0 Max.	~ 1500	~ 50 Max.	3	Φ 3.17	PP	Present
DL-2768 TYPE (Φ 125X36.0L)	DC 12	~ 2.0 Max.	~ 1500	~ 50 Max.	3	Φ 3.17	PP	Present

● DIMENSIONS ▷ DL-2768TYPE : Φ 140 FAN

Unit : mm



▷ DL-2768TYPE : Φ 125 FAN



BLDC Motor | [DL-2768 ϕ 150 FAN] Slim-type Brushless DC Motor



특징 FEATURES

- ◆ **Application** : Refrigerator condenser fan motor
- ◆ **Input Voltage** : DC 7 ~ 15V
- ◆ **Motor type** : 3 Phase
- ◆ **Drive type** : Sensorless
- ◆ **Speed Control** : DC voltage or PWM
- ◆ **Output Rotation** : C.W or C.C.W
- ◆ **Protection** : Current Limit, Thermal Protection, Lock Protection
- ◆ **Insulation Class** : A (105°C)
- ◆ **Frame Material** : PP(Polypropylene)
- ◆ **Lead wire exit** : Variable

◆ **Certification** :  

● SPECIFICATION

Model	Voltage (V)	Output Watts [W]	Speed [r/min]	Efficiency (%)	FG Output (Pulse/Rev)	Shaft Diameter (mm)	Frame Material	Status
DL-2768 TYPE (ϕ 150 fan)	DC 12	~ 2.0 Max.	~ 1500	~ 50 Max.	3	ϕ 3,17	PP	Jun. 2017

● DIMENSIONS ▷ DL-2768 TYPE : ϕ 150 FAN

Unit : mm

